



Instr. No. 2650-421B

# INSTALLATION INSTRUCTIONS

## FUEL LEVEL SENDER

Type 1 and Type 2  
MODEL 3262



### Installation Procedure (Tank must be empty, clean and free of fuel.)

**CAUTION:**

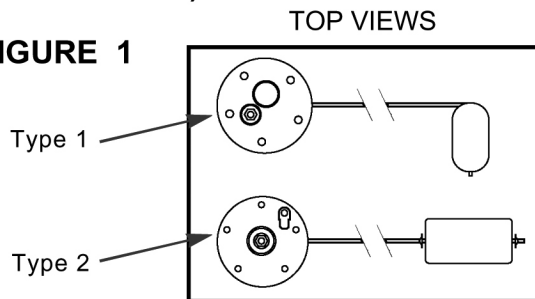
If working on a tank that contains fuel or fuel vapors, use extreme caution. Carefully follow these steps to minimize danger from explosive fuel vapor.

1. Extinguish all cigarettes and remove open flames, hot material and anything else that might ignite fuel or fuel vapor from area. Be sure there is adequate ventilation in work area.
2. Remove ignition key and disconnect ground (-) cable from battery.
3. Drain fuel from tank and remove from area. Reinstall drain plug. Disconnect the fuel line from the fuel tank. Remove the mounting straps or bolts which fasten the fuel tank to the vehicle than remove tank.
4. Remove old sender and remove all remains of the gasket from the old sender from the fuel tank. A clean surface is required for proper sealing of the new fuel sender and neoprene/cork gasket. If excessive debris is found in the fuel tank, flush with water and thoroughly dry the tank with forced air.
5. Auto Meter has two different styles of fuel sender. View the sender from the top with the float arm extended perpendicular from the stem. See FIGURE 1 to determine which sender you have. Type 1 (top) has top nuts off-center and the float extends from one side of the float arm. Type 2 (bottom) has centered nuts on top and the float is centered on the float arm.
6. If you have the Type 1 Fuel Sender refer to instructions 7-14. If you have Type 2 Fuel Sender refer to instructions 15-23 on the reverse side.

**TYPE "1"**

7. Measure tank depth where the new fuel sender will be installed. Refer then to ADJUSTMENT TABLE 1 for correct lengths of float arm (Length "A") and stem (Length "B"). Adjust the length of the stem by loosening the adjusting screws. Retighten the screws when the correct length is reached. Remove the float arm from the assembly and cut to Length "A". Reattach float arm to the float arm connector with set screw and locknut See FIGURE 2.
8. Slide the gasket over the float arm and sending unit to fit flat against the underside of the mounting plate. Place the fuel sender in the fuel tank and align the five holes in the sender flange with the holes in the fuel tank. The five mounting holes are not equally spaced and will only line up in one angular position. This allows repositioning of the float arm relative to the mounting holes every 90°. If necessary to rotate the sending unit for your installation, loosen the brass nut on the bottom of the mounting plate enough to allow the stem to rotate. Make sure to rotate the stem in 90° increments to insure clearance of the float arm with the tank wall.
9. Check for adequate clearance between float and fuel tank wall. (By holding fuel level sender up along side of the fuel tank, you can better check for clearance of vertical tank wall). If the tank wall interferes with the travel of the float arm, loosen the stem mounting nut and rotate the stem to a position where the float will clear the tank wall.
10. Place the fuel level sender back in the fuel tank and check for clearance between the float and the bottom of the tank. The float can not touch the bottom of the tank. If the float does touch the bottom of the tank, double check the tank depth, float arm length and stem length. Make the appropriate adjustments to the sender and recheck it.
11. Tighten all of the fuel sender's fasteners including the stem mounting nut, stem adjustment screws, and the float arm set screw and locknut.
12. Install the fuel level sender and gasket in the tank using the five flange screws. Leak test this area to ensure a proper seal. If unsure how to perform any of the above or below procedures, or are unsure of electrical wiring connections, seek the services of a qualified individual.
13. Reconnect the wire from the fuel level gauge to the sender terminal stud with the nuts provided. If the fuel tank is not metal or if it is fastened to the vehicle with only straps, a separate wire from one of the five flange screws to a good chassis ground is necessary.
14. Tighten all the sender's fasteners and reinstall the fuel tank in the vehicle. Reattach the fuel line to the tank and tighten the drain plug.

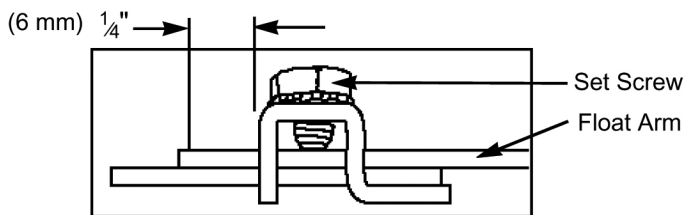
FIGURE 1



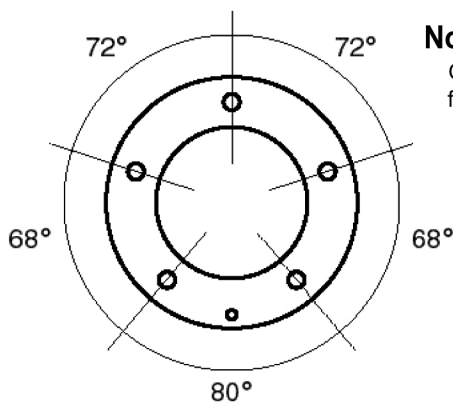
Adjustment Table 1

Adjustment Table, INCH			Adjustment Table, MILLIMETER		
TANK DEPTH	FLOAT ARM "A" Length	STEM "B" Length	TANK DEPTH	FLOAT ARM "A" Length	STEM "B" Length
5"	1 5/8"	2 9/16"	127 mm	41 mm	65 mm
5 1/2"	2	2 13/16"	140	51	71
6	2 5/16	3 1/16	152	59	78
6 1/2"	2 1/16	3 5/16	165	68	84
7	3	3 9/16	178	76	90
7 1/2"	3 3/8	3 13/16	191	86	97
8	3 3/4	4 1/16	203	95	103
8 1/2"	4 1/16	4 5/16	216	103	110
9	4 3/8	4 9/16	229	113	116
9 1/2"	4 3/4	4 13/16	241	121	122
10	5 1/8	5 1/16	254	130	129
10 1/2"	5 7/16	5 5/16	267	138	135
11	5 13/16	5 9/16	279	148	141
11 1/2"	6 3/16	5 13/16	292	157	148
12	6 1/2	6 1/8	305	165	154
12 1/2"	6 7/8	6 5/16	318	175	160
13	7 3/16	6 9/16	330	183	167
13 1/2"	7 9/16	6 13/16	343	192	173
14	7 7/8	7 1/16	356	200	179
14 1/2"	8 1/4	7 5/16	368	210	188
15	8 9/16	7 9/16	381	217	192
15 1/2"	8 15/16	7 13/16	394	227	198
16	9 5/16	8 1/16	406	237	205
16 1/2"	9 5/8	8 5/16	419	244	211
17	10	8 9/16	432	254	217
17 1/2"	10 5/16	8 13/16	445	262	224
18	10 13/16	9 1/16	457	271	230
18 1/2"	11	9 5/16	470	279	237
19	11 3/8	9 9/16	483	289	243
19 1/2"	11 3/4	9 13/16	495	298	249
20	12 1/16	10 1/16	508	306	256
20 1/2"	12 7/16	10 5/16	521	316	262
21	12 3/4	10 9/16	533	324	268
21 1/2"	13 1/8	10 13/16	546	333	275
22	13 1/16	11 1/16	559	341	281
22 1/2"	13 13/16	11 5/16	572	351	287
23	14 1/8	11 9/16	584	359	294
23 1/2"	14 1/2	11 13/16	597	368	300
24	14 7/8	12 1/16	610	378	307

FIGURE 2



SIDE VIEW of Set Screw

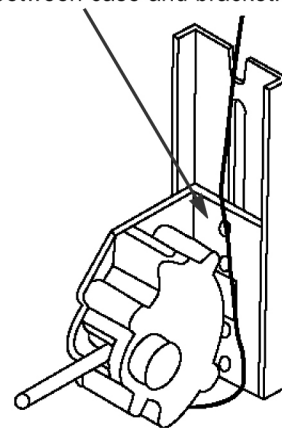
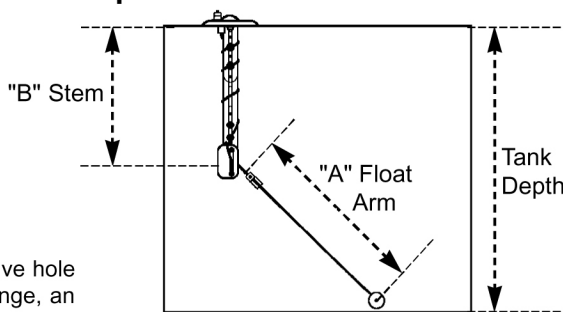


**Note:**

Gasket can also be used as a template for the mounting hole location.

Place wire between case and bracket.

**Tank Example**



**FIGURE 3**

**IMPORTANT:**

These fuel level senders are both equipped with a five hole mounting flange. If your vehicle uses a six hole flange, an adapter plate will be required. Please contact Customer Service at the phone number below.

**TYPE "2"**

15. Measure tank depth where the new fuel sender will be installed. Refer then to ADJUSTMENT TABLE 2 for correct lengths of float arm (Length "A") and stem (Length "B"). Measure, mark, and cut the stem to the correct length. Slide float up float arm until the outer edge of the float is 3/16" (5mm) less than the float arm length (Length "A"). Mark and cut off any remaining length of the float arm extending over 1/8" inch past the push-on retainer.
16. Secure the case on the stem. The case should be secured 1/4" (6mm) above the bottom of the stem. Be sure to place the wire between the case and bracket, NOT the bracket and the stem See FIGURE 3.
17. Slide the gasket over the float arm and sending unit to fit flat against the underside of the mounting plate. Place the fuel sender in the fuel tank and align the five holes in the sender flange with the holes in the fuel tank. The five mounting holes are not equally spaced and will only line up in one angular position. This allows repositioning of the float arm relative to the mounting holes every 90°. If necessary to rotate the sending unit for your installation, loosen the brass nut on the top of the mounting plate enough to allow the stem to rotate. Make sure to rotate the stem in 90° increments to insure clearance of the float arm with the tank wall.
18. Check for adequate clearance between float and fuel tank wall. (By holding fuel level sender up along side of the fuel tank, you can better check for clearance of vertical tank wall). If the tank wall interferes with the travel of the float arm loosen the stem mounting nut and rotate the stem to a position where the float will clear the tank wall.
19. Place the fuel level sender back in the fuel tank and check for clearance between the float and the bottom of the tank. The float can not touch the bottom of the tank. If the float does touch the bottom of the tank, double check the tank depth, float arm length and stem length. Make the appropriate adjustments to the sender.
20. Tighten all of the fuel sender's fasteners including the stem mounting nut and case adjusting screws.
21. Install the fuel level sender and gasket in the tank using the five flange screws. Leak test this area to ensure a proper seal. If unsure how to perform any of the above or below procedures, or are unsure of electrical wiring connections, seek the services of a qualified technician.
22. Reconnect the wire from the fuel level gauge using a ring terminal to the sender terminal on the top of the mounting plate. If the fuel tank is not metal or if it is fastened to the vehicle with only straps, a separate wire from one of the five flange screws to a good chassis ground is necessary.
23. Tighten all the sender's fasteners and reinstall the fuel tank in the vehicle. Reattach the fuel line to the tank and tighten the drain plug.

**Adjustment Table 2**

Adjustment Table, INCH			Adjustment Table, MILLIMETER		
TANK DEPTH	FLOAT ARM "A" Length	STEM "B" Length	TANK DEPTH	FLOAT ARM "A" Length	STEM "B" Length
6	3 5/8	3 1/2	152 mm	92 mm	89 mm
6 1/2	4	3 3/4	165	102	95
7	4 3/8	4	178	111	102
7 1/2	4 3/4	4 1/4	191	121	108
8	5 1/8	4 1/2	203	130	114
8 1/2	5 3/8	4 3/4	216	137	121
9	5 3/4	5	229	146	127
9 1/2	6 1/8	5 1/4	241	156	133
10	6 1/2	5 1/2	254	165	140
10 1/2	6 3/4	5 3/4	267	175	146
11	7 1/8	6	279	184	152
11 1/2	7 3/8	6 1/4	292	191	159
12	7 3/4	6 1/2	305	200	165
12 1/2	8 1/8	6 3/4	318	210	172
13	8 3/8	7	330	219	178
13 1/2	9	7 1/4	343	229	184
14	9 3/8	7 1/2	356	238	191
14 1/2	9 3/4	7 3/4	368	248	197
15	10	8	381	254	203
15 1/2	10 1/8	8 1/4	394	267	210
16	10 3/4	8 1/2	406	279	216
16 1/2	11 1/8	8 3/4	419	286	222
17	11 1/4	9	432	292	229
17 1/2	11 3/8	9 1/4	445	299	235
18	12 1/8	9 1/2	457	311	241
18 1/2	12 1/4	9 3/4	470	318	248
19	12 3/8	10	483	327	254
19 1/2	13 1/8	10 1/4	495	337	260
20	13 1/4	10 1/2	508	343	267
20 1/2	13 3/8	10 3/4	521	352	273
21	14 1/8	11	533	362	279
21 1/2	14 1/4	11 1/4	546	368	286
22	15	11 1/2	559	381	292
22 1/2	15 3/8	11 3/4	572	391	299
23	15 3/4	12	584	400	305
23 1/2	16	12 1/4	597	406	311
24	16 3/8	12 1/2	610	416	318

**SERVICE**

For service send your product to Auto Meter in a well packed shipping carton. Please include a note explaining what the problem is along with your phone number. Please specify when you need the product back. If you need it back immediately mark the outside of the box "RUSH REPAIR," and Auto Meter will service product within two days after receiving it. (\$10.00 charge will be added to the cost of "RUSH REPAIR.") If you are sending product back for Warranty adjustment, you must include a copy (or original) of your sales receipt from the place of purchase.

**12 MONTH LIMITED WARRANTY**

Auto Meter Products, Inc. warrants to the consumer that all Auto Meter High Performance products will be free from defects in material and workmanship for a period of twelve (12) months from date of the original purchase. Products that fail within this 12 month warranty period will be repaired or replaced at Auto Meter's option to the consumer, when it is determined by Auto Meter Products, Inc. that the product failed due to defects in material or workmanship. This warranty is limited to the repair or replacement of parts in the Auto Meter instruments. In no event shall this warranty exceed the original purchase price of the Auto Meter instruments nor shall Auto Meter Products, Inc. be responsible for special, incidental or consequential damages or costs incurred due to the failure of this product. Warranty claims to Auto Meter must be transportation prepaid and accompanied with dated proof of purchase. This warranty applies only to the original purchaser of product and is non-transferable. All implied warranties shall be limited in duration to the said 12 month warranty period. Breaking the instrument seal, improper use or installation, accident, water damage, abuse, unauthorized repairs or alterations voids this warranty. Auto Meter Products, Inc. disclaims any liability for consequential damages due to breach of any written or implied warranty on all products manufactured by Auto Meter.

FOR SERVICE SEND TO: **AUTO METER PRODUCTS, INC.** 413 W. Elm St., Sycamore, IL 60178 USA (815) 895-8141

Email us at [service@autometer.com](mailto:service@autometer.com)