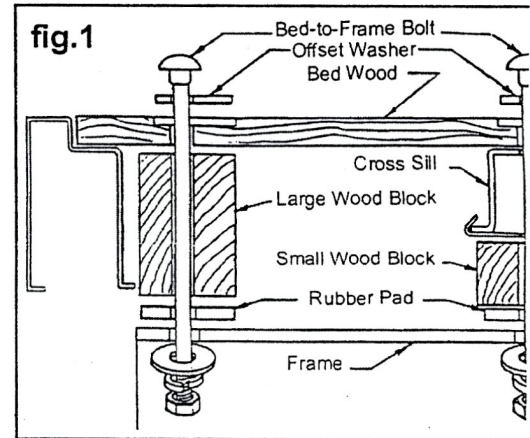


GM Mounting Block and Pad Examples

GM 41 - 46 Stepside:

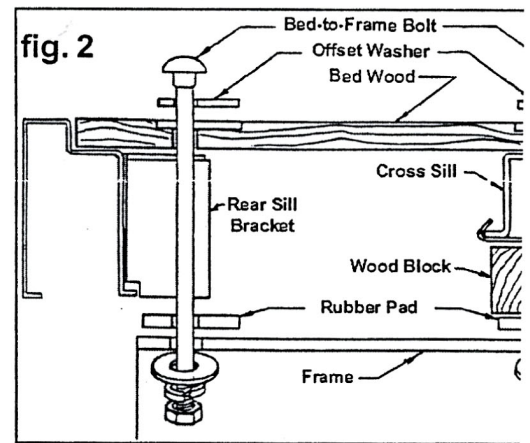
Install the completed bed assembly to the truck frame. This will enable you to check the alignment of the bed-to-frame bolt locations. The order in which parts are installed on the truck frame is: rubber pad, wood mounting block, cross sill bracket/cross sill, and the bed assembly. See figure 1. Make sure that the wood blocks with the offset hole are located under the front cross sill that has the offset hole cross sill brackets attached.



41-46 GM

GM 47 - 53 Stepside:

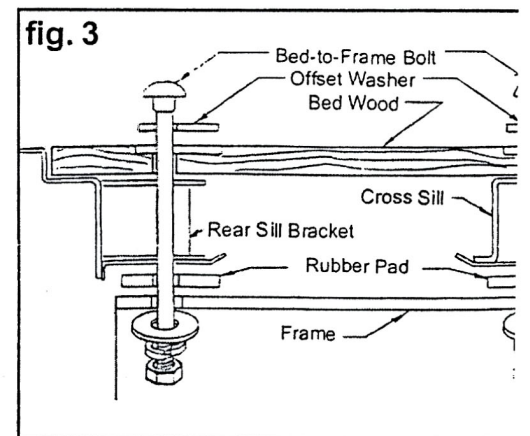
Install the completed bed assembly to the truck frame. This will enable you to check the alignment of the bed-to-frame locations. The order in which parts are installed to the frame is: rubber pad, wood blocks, and bed assembly. See figure 2. The offset wood blocks go on the front cross sill with the offset brackets.



47-53 GM

GM 54 - 87 Stepside:

To install the bed assembly to the frame, there should be a rubber pad between each cross sill bracket and frame mounting location. Align the bed holes to the frame holes. Install the 3/8"-16 x 4" carriage bolts with the offset washer through the wood boards, cross sills/brackets, rubber pads, and the frame. Secure with the 3/8" flat washers, lockwashers, and nuts. See figure 3.



54-87 GM

*See specific instructions for each year.