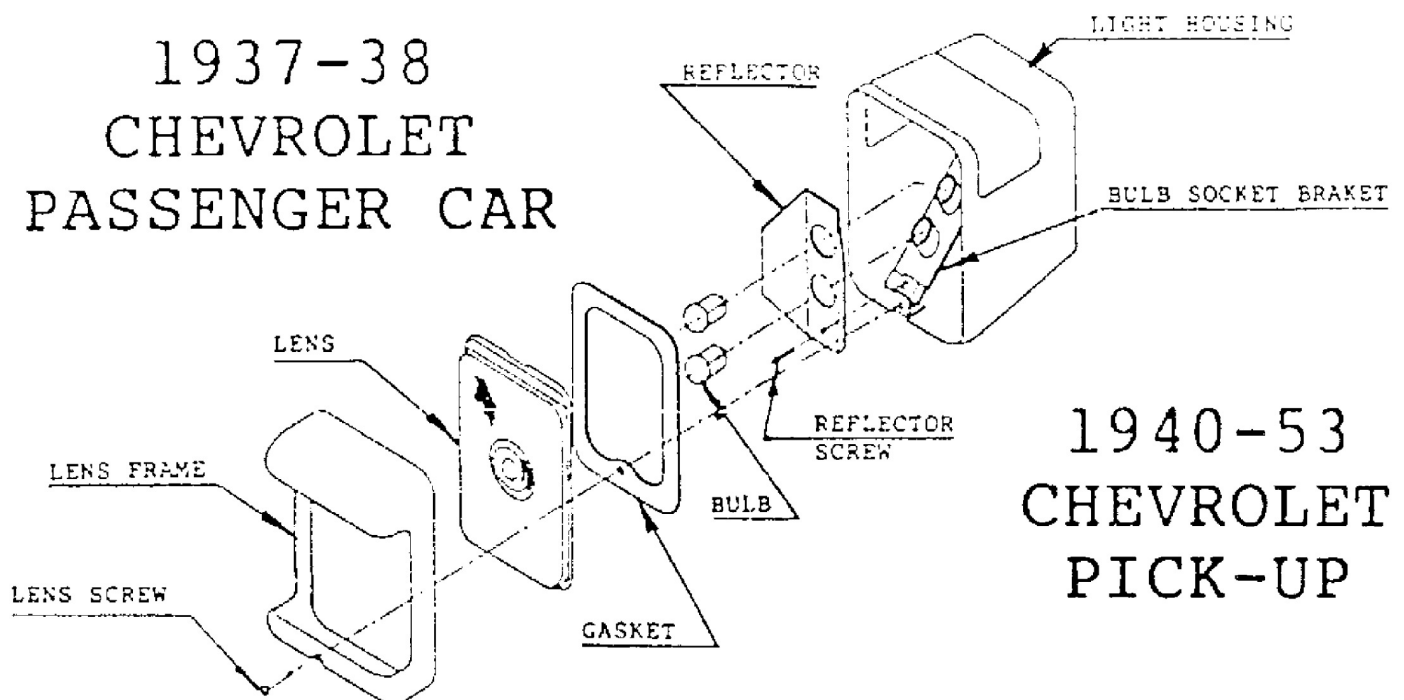




#76

NEW TAIL LIGHT REFLECTOR

1937-38
CHEVROLET
PASSENGER CAR



1940-53
CHEVROLET
PICK-UP

REFLECTOR INSTALLATION INSTRUCTIONS

1. REMOVE LENS.
2. TAKE OUT BULBS. (OPTIONAL)
3. REMOVE REFLECTOR SCREW AND BULB SOCKET BRACKET.
4. PLACE REFLECTOR OVER BULB SOCKETS AND FASTEN REFLECTOR AND SOCKET BRACKET TOGETHER WITH REFLECTOR SCREW.
(SEE ILLUSTRATION ABOVE)
5. RE-ASSEMBLE TAIL LIGHT IN REVERSE ORDER.